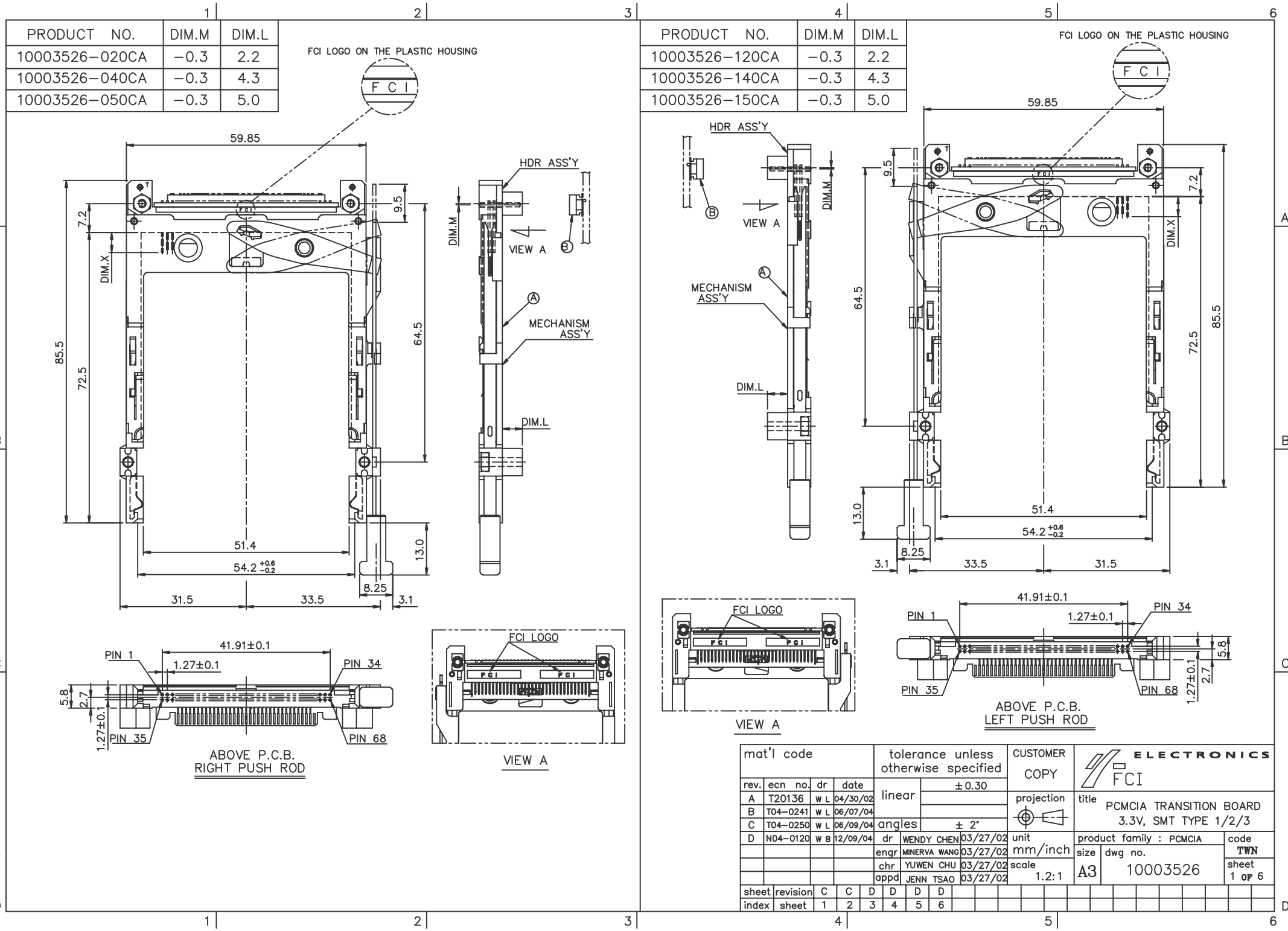


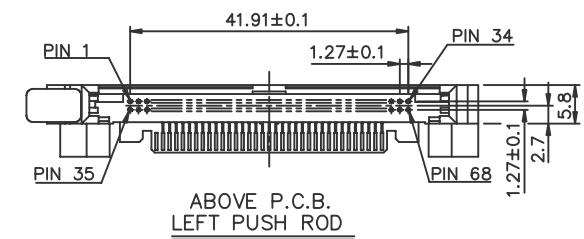
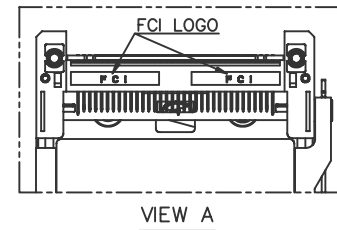
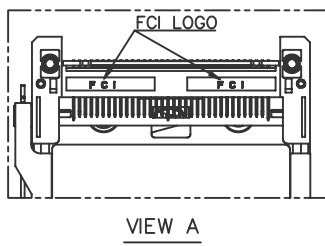
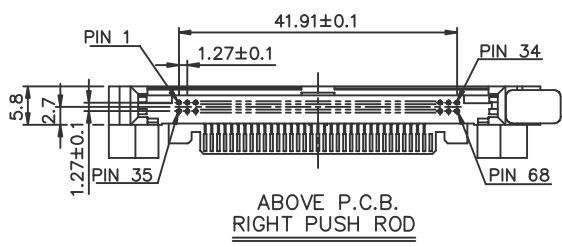
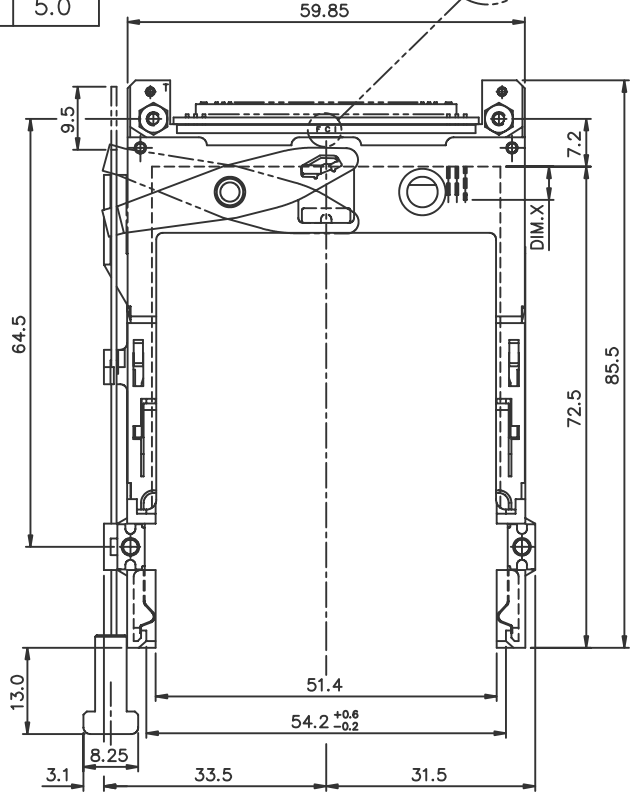
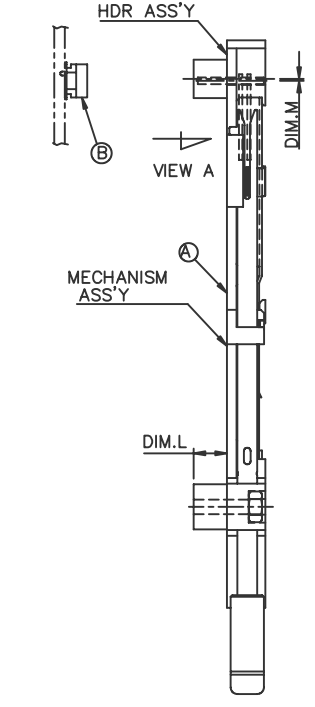
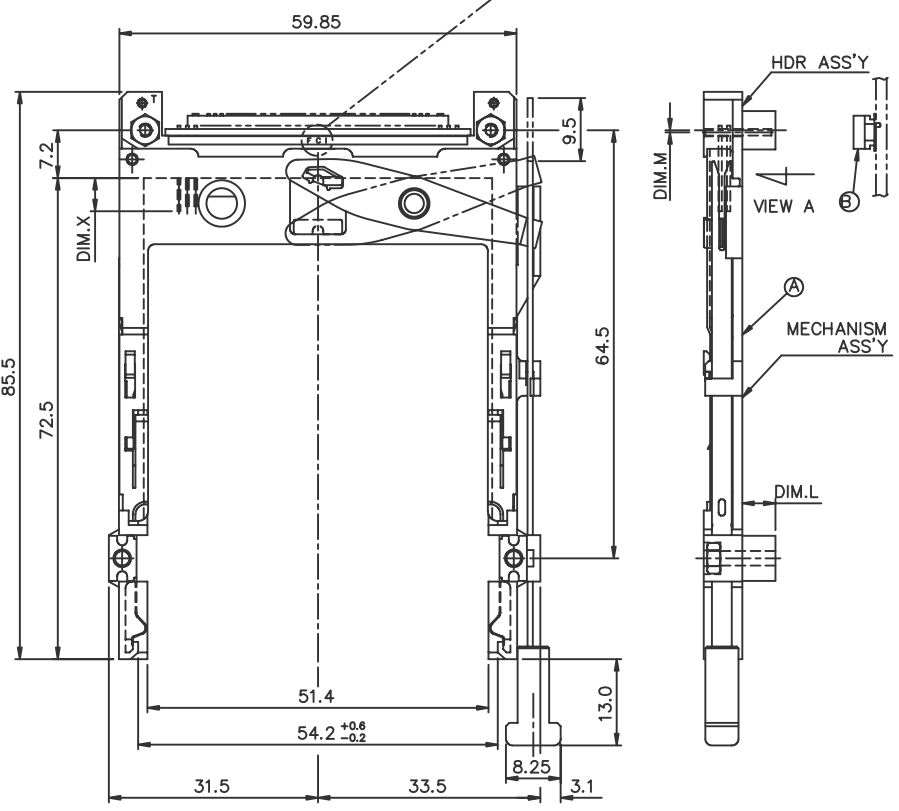
Tous droits strictement réservés. Reproduction ou communication, a des tiers int sous quelque forme que ce soit sans autorisation écrite du propriétaire. Property of c BERG ELECTRONICS. Droits de reproduction BERG ELECTRONICS by

All rights strictly reserved. Reproduction or issue to third parties in any form whatsoever is not permitted without written authority from the proprietor. Property of c BERG ELECTRONICS. Copyright BERG ELECTRONICS by



PRODUCT NO.	DIM.M	DIM.L
10003526-020CA	-0.3	2.2
10003526-040CA	-0.3	4.3
10003526-050CA	-0.3	5.0

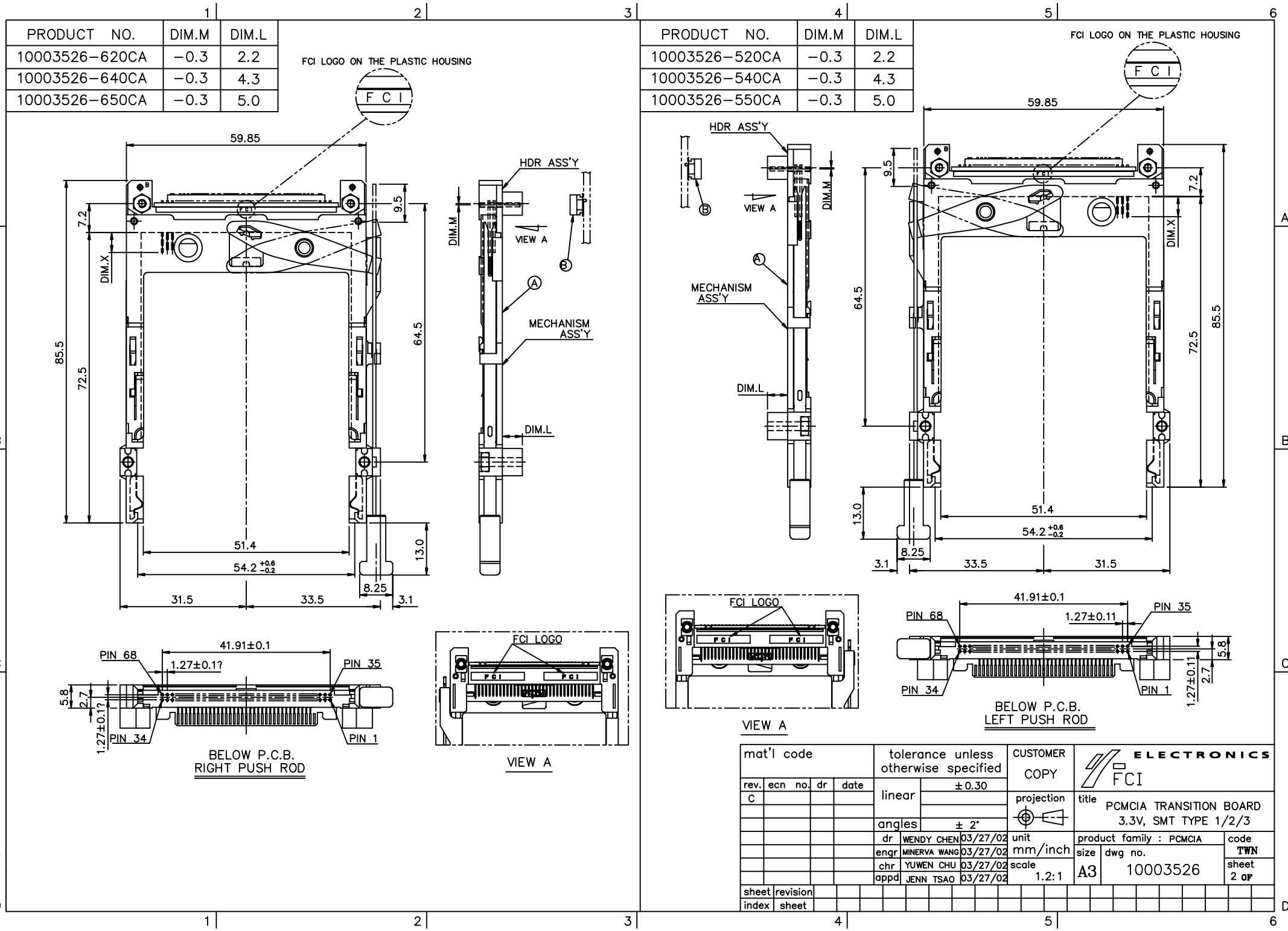
PRODUCT NO.	DIM.M	DIM.L
10003526-120CA	-0.3	2.2
10003526-140CA	-0.3	4.3
10003526-150CA	-0.3	5.0



mat'l code		tolerance unless otherwise specified		CUSTOMER COPY		FCI ELECTRONICS	
rev.	ecn no.	dr	date	linear	± 0.30	projection	title
A	T20136	W L	04/30/02				PCMCIA TRANSITION BOARD
B	T04-0241	W L	06/07/04				3.3V, SMT TYPE 1/2/3
C	T04-0250	W L	06/09/04	angles	± 2°		product family : PCMCIA
D	N04-0120	W B	12/09/04	dr	WENDY CHEN 03/27/02	unit	code
				enr	MINERVA WANG 03/27/02	mm/inch	TWN
				chr	YUWEN CHU 03/27/02	scale	sheet
				appd	JENN TSAO 03/27/02	1.2:1	1 OF 6
sheet index	revision sheet	C 1	C 2	D 3	D 4	D 5	D 6

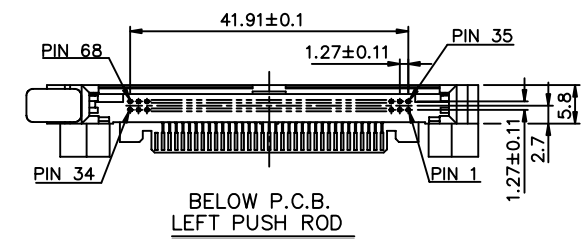
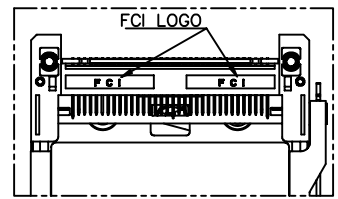
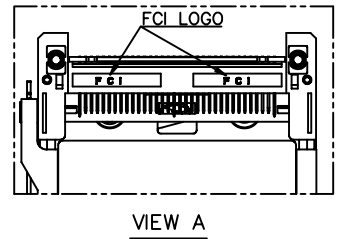
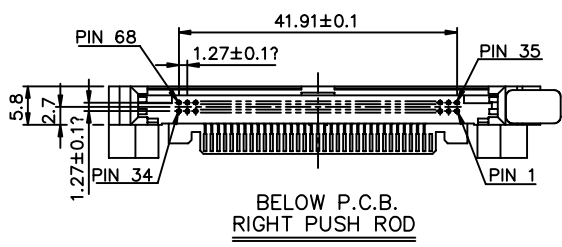
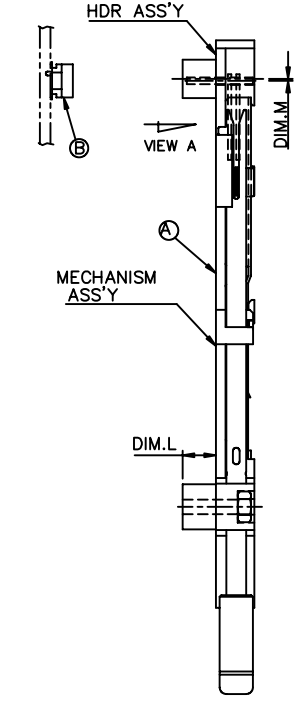
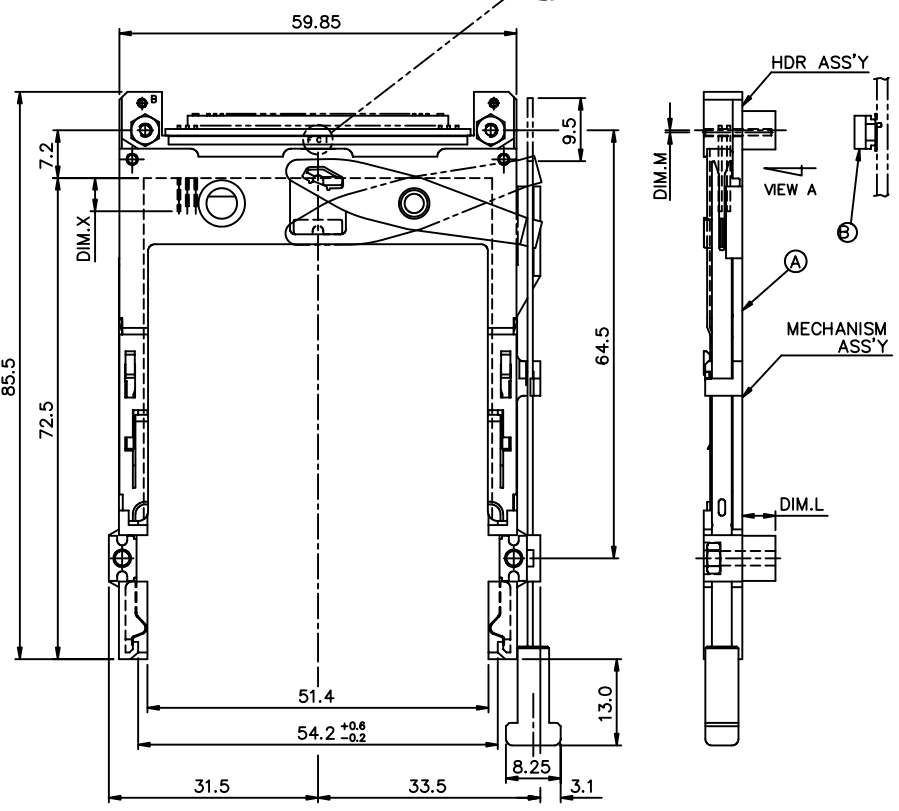
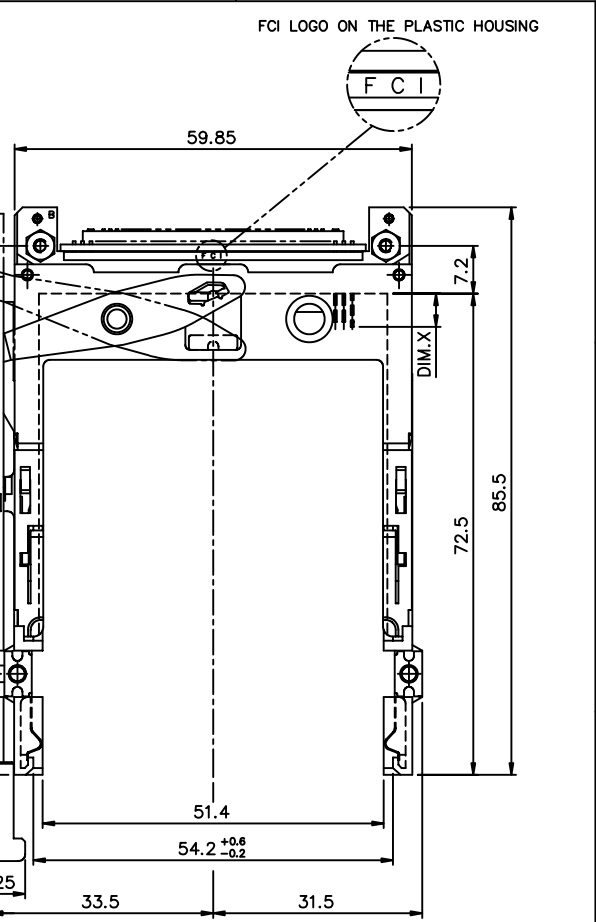
Tous droits strictement réservés. Reproduction ou communication, a des tiers int
 sous quelque forme que ce soit sans autorisation écrite du propriétaire.
 propriété de c BERG ELECTRONICS.
 Droits de reproduction BERG ELECTRONICS by

All rights strictly reserved. Reproduction or issue to third parties in any for
 whatever is not permitted without written authority from the proprietor.
 Property of c BERG ELECTRONICS.
 Copyright BERG ELECTRONICS by



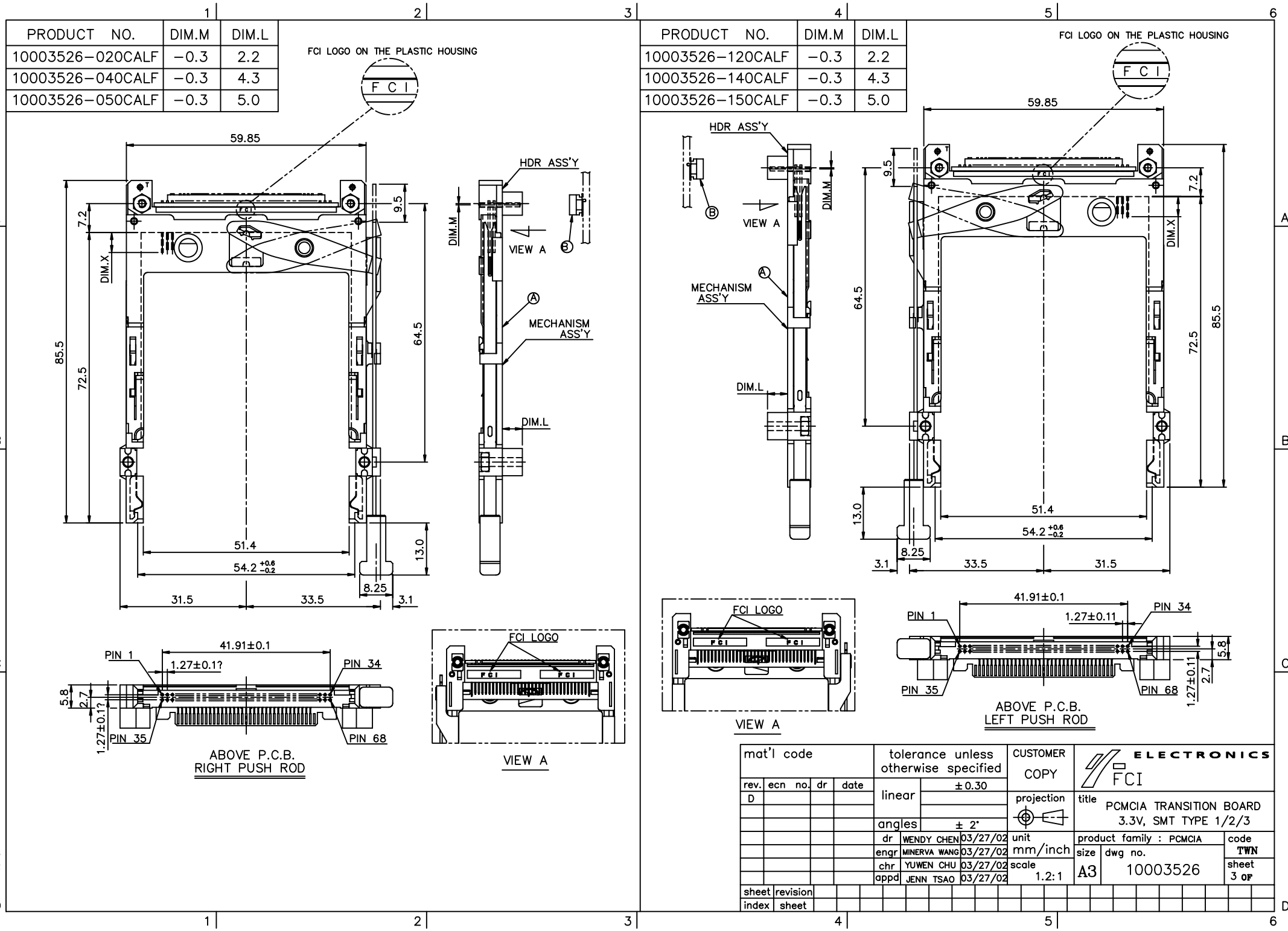
PRODUCT NO.	DIM.M	DIM.L
10003526-620CA	-0.3	2.2
10003526-640CA	-0.3	4.3
10003526-650CA	-0.3	5.0

PRODUCT NO.	DIM.M	DIM.L
10003526-520CA	-0.3	2.2
10003526-540CA	-0.3	4.3
10003526-550CA	-0.3	5.0



mat'l code		tolerance unless otherwise specified		CUSTOMER COPY		FCI ELECTRONICS	
rev.	ecn no.	dr	date	linear	± 0.30	projection	title
C				angles	± 2°		PCMCIA TRANSITION BOARD 3.3V, SMT TYPE 1/2/3
				dr	WENDY CHEN 03/27/02	unit	product family : PCMCIA
				enr	MINERVA WANG 03/27/02	mm/inch	code
				chr	YUWEN CHU 03/27/02	scale	TWN
				appd	JENN TSAO 03/27/02	1.2:1	sheet
sheet	revision						2 OF
index	sheet						

Tous droits strictement réservés. Reproduction ou communication, a des tiers int
 sous quelque forme que ce soit sans autorisation écrite du propriétaire.
 propriété de c BERG ELECTRONICS.
 Droits de reproduction BERG ELECTRONICS by
 FCI
 All rights strictly reserved. Reproduction or issue to third parties in any for
 whatever is not permitted without written authority from the proprietor.
 Property of c BERG ELECTRONICS.
 Copyright BERG ELECTRONICS by
 FCI



PRODUCT NO.	DIM.M	DIM.L
10003526-020CALF	-0.3	2.2
10003526-040CALF	-0.3	4.3
10003526-050CALF	-0.3	5.0

PRODUCT NO.	DIM.M	DIM.L
10003526-120CALF	-0.3	2.2
10003526-140CALF	-0.3	4.3
10003526-150CALF	-0.3	5.0

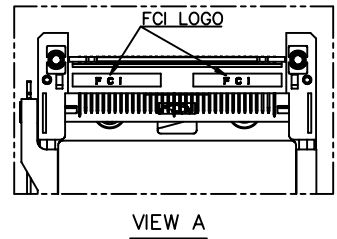
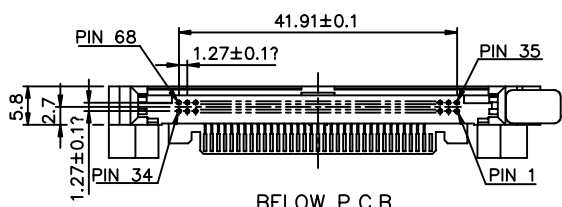
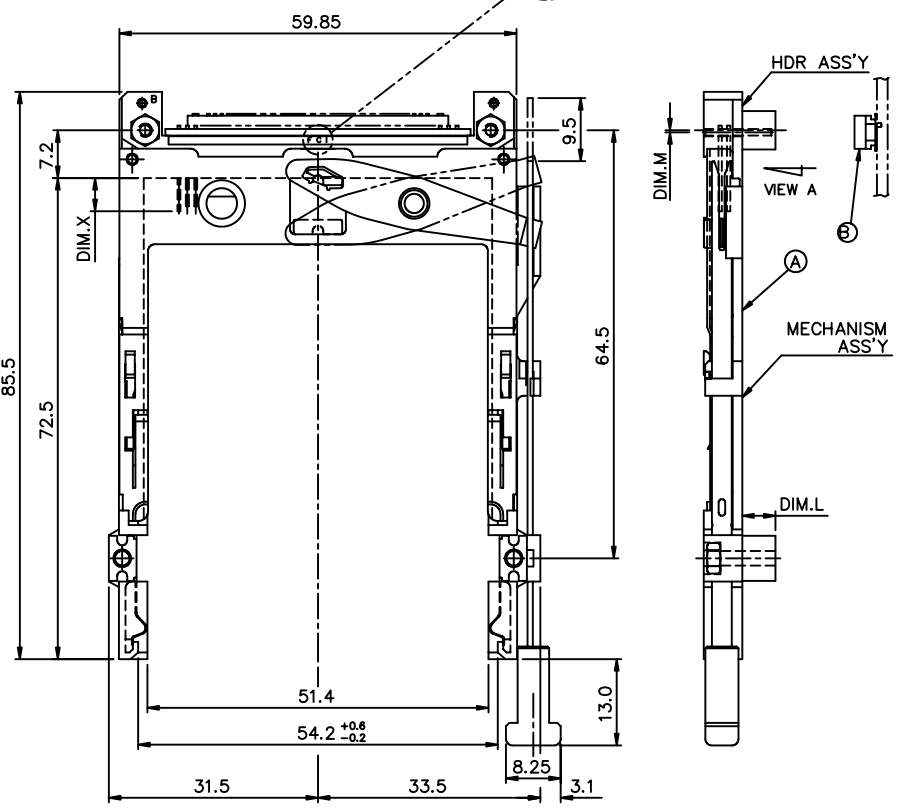
mat'l code		tolerance unless otherwise specified		CUSTOMER COPY		FCI ELECTRONICS	
rev.	ecn no.	dr	date	linear	± 0.30	projection	title
D				angles	± 2°		PCMCIA TRANSITION BOARD 3.3V, SMT TYPE 1/2/3
				dr	WENDY CHEN 03/27/02	unit	product family : PCMCIA
				enr	MINERVA WANG 03/27/02	mm/inch	code
				chr	YUWEN CHU 03/27/02	scale	TWN
				appd	JENN TSAO 03/27/02	1.2:1	sheet
sheet	revision						3 of
index	sheet						

Tous droits strictement réservés. Reproduction ou communication, a des tiers int
 sous quelque forme que ce soit sans autorisation écrite du propriétaire.
 propriété de c BERG ELECTRONICS.
 Droits de reproduction BERG ELECTRONICS by
 FCI

All rights strictly reserved. Reproduction or issue to third parties in any for
 whatever is not permitted without written authority from the proprietor.
 Property of c BERG ELECTRONICS.
 Copyright BERG ELECTRONICS by
 FCI

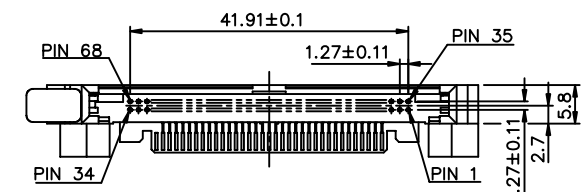
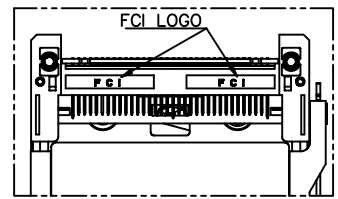
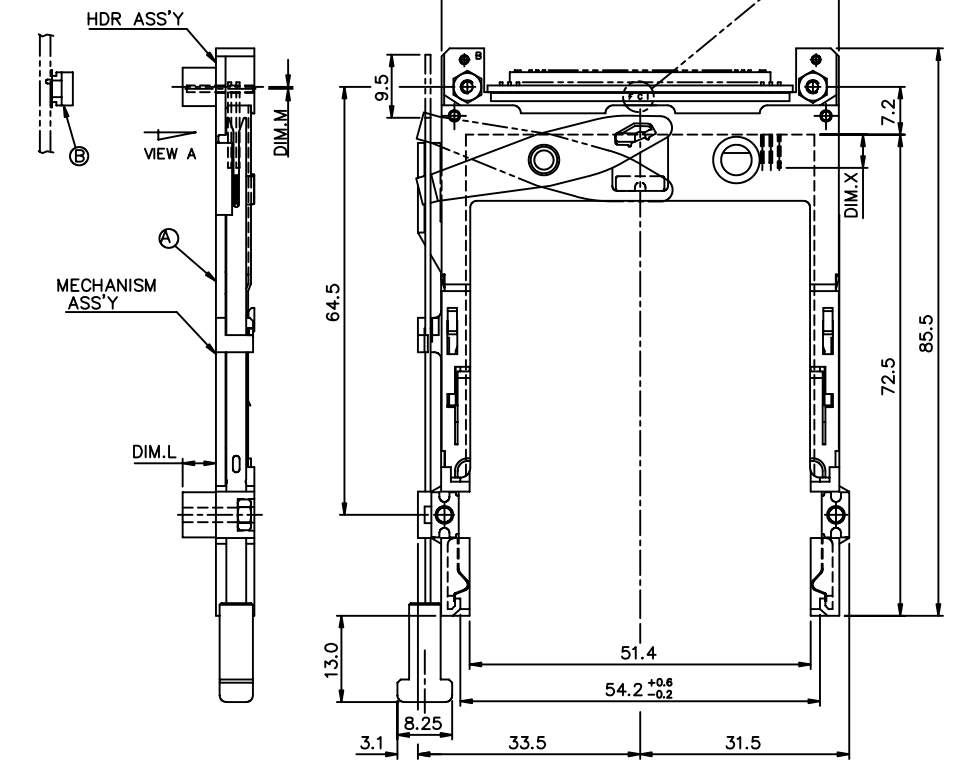
PRODUCT NO.	DIM.M	DIM.L
10003526-620CALF	-0.3	2.2
10003526-640CALF	-0.3	4.3
10003526-650CALF	-0.3	5.0

FCI LOGO ON THE PLASTIC HOUSING



PRODUCT NO.	DIM.M	DIM.L
10003526-520CALF	-0.3	2.2
10003526-540CALF	-0.3	4.3
10003526-550CALF	-0.3	5.0

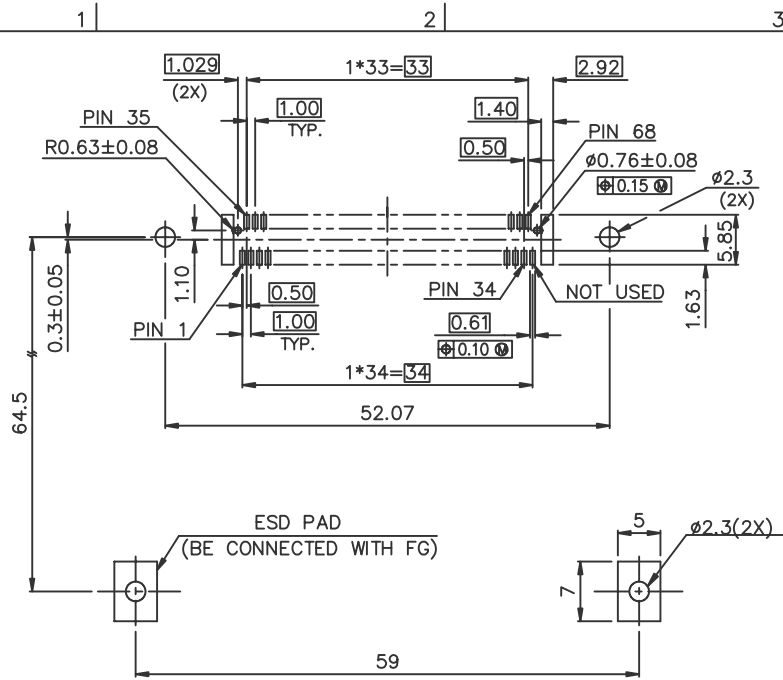
FCI LOGO ON THE PLASTIC HOUSING



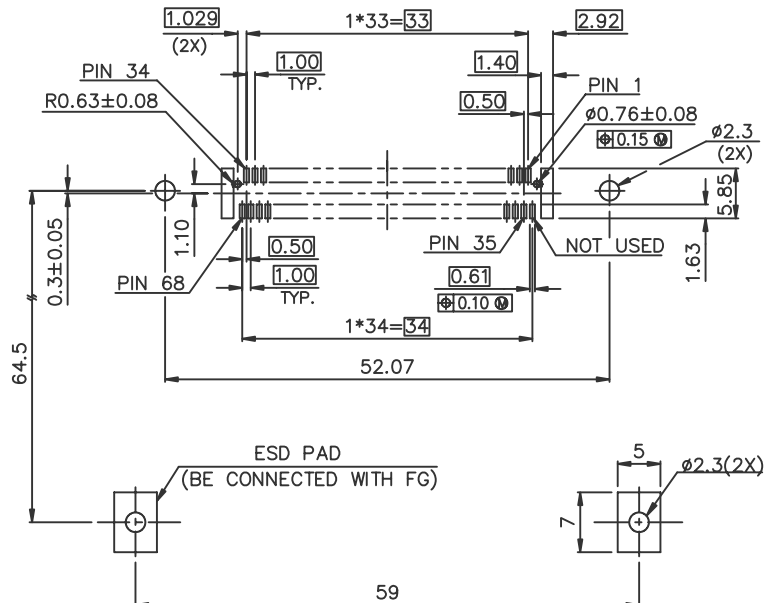
VIEW A

BELOW P.C.B.
LEFT PUSH ROD

mat'l code		tolerance unless otherwise specified		CUSTOMER COPY		ELECTRONICS	
rev.	ecn no.	dr	date	linear	± 0.30	projection	title
C				angles	± 2°		PCMCIA TRANSITION BOARD 3.3V, SMT TYPE 1/2/3
D				dr	WENDY CHEN 03/27/02	unit	product family : PCMCIA
				enr	MINERVA WANG 03/27/02	mm/inch	code
				chr	YUWEN CHU 03/27/02	scale	TWN
				appd	JENN TSAO 03/27/02	1.2:1	sheet
sheet	revision						4 of
index	sheet						



FOR 10003526-0XXCA/1XXCA P.C.B LAYOUT
BOARD VIEW FROM CONNECTOR MOUNTED SIDE



FOR 10003526-5XXCA/6XXCA P.C.B LAYOUT
BOARD VIEW FROM CONNECTOR MOUNTED SIDE

NOTES:

- 8mm MIN. CARD EJECT.
- EJECT TRAVEL: 9.5mm
- PUSH ROD LOCATION AND P.C.B. SIDE ARE AS APPEARS INSTALLED.
- MATERIAL
 - HEADER ASS'Y:
 - PLASTIC : HOUSING ...LCP UL94V-0 BLACK
 - PIN : COPPER ALLOY
 - PCB : FR4
 - EJECT MECHANISM ASS'Y:
 - PLASTIC : GUIDE: POLYPHTHARAMID UL94V-0 BLACK
 - : BUTTON: POLYPHTHARAMID UL94V-0 BLACK
 - PLATE AND PUSH ROD : STAINLESS
 - EMI CONTACT: PHOSPHOR BRONZE
- FINISH (PIN)
 - UNDER PLATING : 0.5µm MIN. Ni
 - CONTACT AREA : 0.1µm MIN. GOLD OVER
 - 0.5µm MIN. Pd-Ni
 - SOLDER TAIL(TIN LEAD OPTION): 2.5µm MIN. Sn-Pb
 - SOLDER TAIL(LEAD FREE OPTION): 2.5µm MIN. PURE TIN
- IF LEAD FREE P/N.THE HOUSING WILL WITHSTAND EXPOSURE TO 260°C PEAK TEMPERATURE FOR 10 SECONDS IN A WAVE SOLDER APPLICATION WITH A 1.00MM MINIMUM THICK CIRCUIT BOARD.
- LEAD FREE PRODUCT MEETS EUROPEAN UNION DIRECTIVES AND OTHER COUNTRY REGULATIONS AS DISCRIBED IN GS-22-008
- LEAD FREE PRODUCT PACKAGING MEETS GS-14-920 SPECIFICATION
- DIM "X"

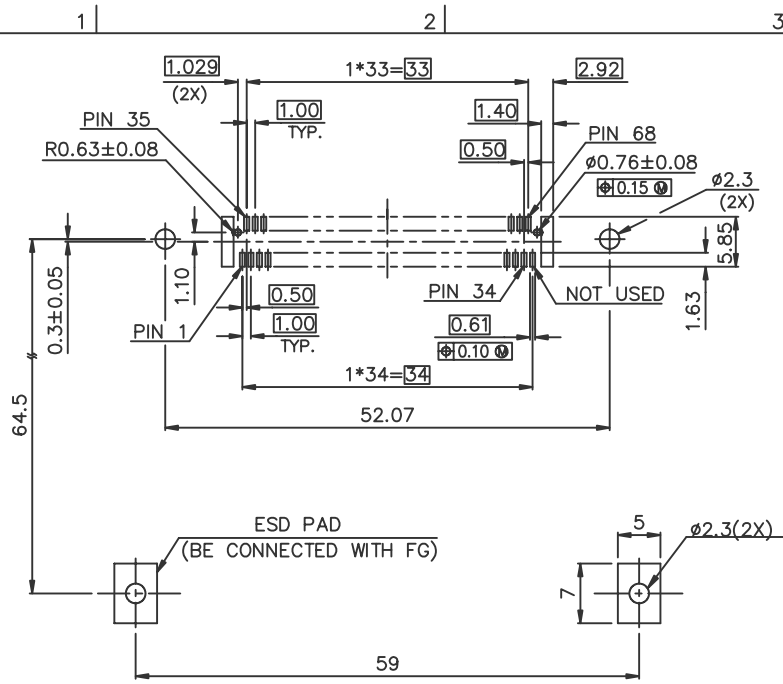
4.25±0.1	3.5±0.1	5.0±0.1
OTHERS	36,67	1,17,34,35,51,68

mat'l code		tolerance unless otherwise specified		CUSTOMER COPY			
rev.	ecn no.	dr	date	linear	±0.1	projection	title P.C.B LAYOUT
A				angles			
				dr	WENDY CHEN 03/27/02	unit	
				enr	MINERVA WANG 03/27/02	mm/inch	product family : PCMCIA
				chr	YUWEN CHU 03/27/02	scale	code
				appd	JENN TSAO 03/27/02	A3	TWN
sheet	revision						size
index	sheet						dwg no.
							10003526
							sheet
							5 of

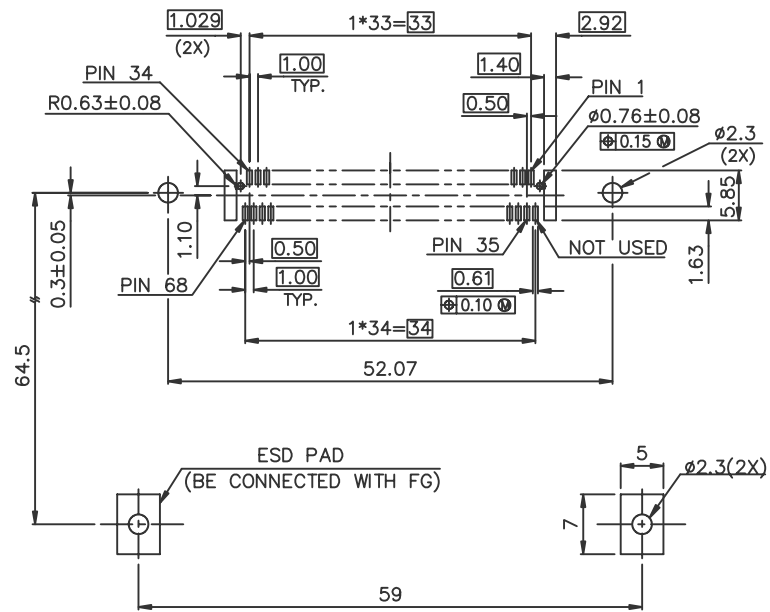
Tous droits strictement reserves. Reproduction ou communication a des tiers int sous quelque forme que ce soit sans autorisation écrite du propriétaire. Propriete de c BERG ELECTRONICS. Droits de reproduction BERG ELECTRONICS by

All rights strictly reserved. Reproduction or issue to third parties in any for whatever is not permitted without written authority from the proprietor. Property of c BERG ELECTRONICS. Copyright BERG ELECTRONICS by

FCI



FOR 10003526-0XXCALF/1XXCALF P.C.B LAYOUT
BOARD VIEW FROM CONNECTOR MOUNTED SIDE



FOR 10003526-5XXCALF/6XXCALF P.C.B LAYOUT
BOARD VIEW FROM CONNECTOR MOUNTED SIDE

ORDERING INFORMATION

NAME	PART NO.	Q'TY
Ⓐ EJECT HEADER ASS'Y	10003526-XXXXX	1
Ⓑ MATING RECEPTACLE	91931-31169	1

NAME	PART NO.	Q'TY
Ⓐ EJECT HEADER ASS'Y	10003526-XXXXLF	1
Ⓑ MATING RECEPTACLE	91931-31169LF	1

mat'l code		tolerance unless otherwise specified		CUSTOMER COPY			
rev.	ecn no.	dr	date	linear	±0.1	projection	title
A				angles			P.C.B LAYOUT
D				dr	WENDY CHEN 03/27/02	unit	product family : PCMCIA
				enr	MINERVA WANG 03/27/02	mm/inch	code
				chr	YUWEN CHU 03/27/02	scale	TWN
				appd	JENN TSAO 03/27/02	A3	sheet
sheet	revision					size	dwg no.
index	sheet					10003526	6 of 6

Tous droits strictement reserves. Reproduction ou communication a des tiers int sous quelque forme que ce soit sans autorisation ecrite du proprietaire. propriete de c BERG ELECTRONICS. Droits de reproduction BERG ELECTRONICS by

All rights strictly reserved. Reproduction or issue to third parties in any for whatever is not permitted without written authority from the proprietor. Property of c BERG ELECTRONICS. Copyright BERG ELECTRONICS by

